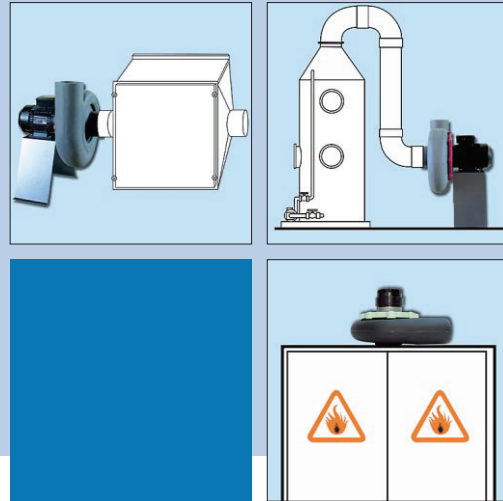


STORM

Series

Specifications



Applications: Ventilation of safety cabinets (STORM 10), scrubbers, fume capture arms, filter housing, etc. (STORM 12, 14, 16).

Housings: PP*



Single block strong high density UV treated and recyclable polypropylene (PPH) with no air leakage. All fan mounting hardware in stainless steel. Rotatable to any of 8 standard discharge positions by 45° increments.

* with the exception of STORM 10: PE.

Wheels: PP



Forward curved centrifugal type impeller made of injection molded PPH. Fan wheel supplied with motor shaft bushing and hub cap constructed of PPH. Wheels electronically and dynamically balanced. LG/CCW rotation only.

Motors



Direct drive, asynchronous, single or three phase, IP55. Single speed: three phase 230/400V-50/60 Hz, single phase 230V-50Hz. Explosion proof motors available on request. Motor is outside the corrosive airstream. Three phase motors speed adjustable by variable frequency inverter drive. STORM 10 is also available with external rotor IP 20 motor for quiet performance.

Motor support: Several options: no stand, metal stand or polypropylene motor pedestal.

ATEX



SEAT Series Fans are also available in ATEX Zone II, known outside Europe as explosion proof, category 3 G execution in accordance with ATEX directive 94/9/CE. ATEX declaration of conformity available on our web site www.seat-ventilation.com. The performances curves of explosion proof fans are identical with the ones of the standard version.

Performance

Fan performance based on tests conducted in accordance with AMCA 210-85 and ISO 5801.

Temperature resistance

PPH casing and wheel recommended up to 80°C.


Warranty

SEAT VENTILATION warrants its equipment to be free from defects in workmanship and material under normal use and service for two years after shipment. Warranty is void if damage results from improper wiring or installation.

Electrical data and weight*

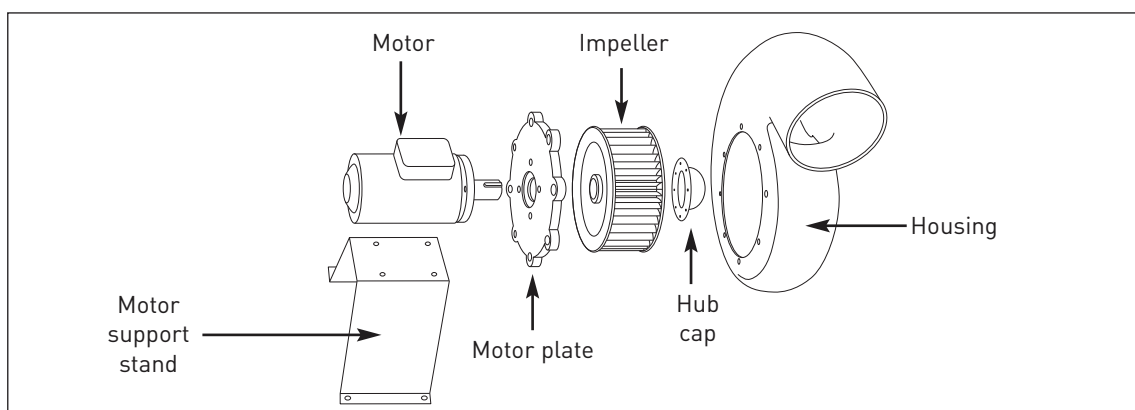
	RPM (T/min)	(kW)	(V)	AMP draw (A)	Weight (Kgs)
Single phase					
STORM 10	1250	0,04	230	0,31	4,33
	1500	0,09	230	1,12	3,00
	3000	0,12	230	1,20	4,43
STORM 12	1500	0,25	230	2,50	7,03
	3000	0,37	230	3,10	7,53

Three phase					
STORM 10	1500	0,09	230/400	0,63/0,37	4,00
	3000	0,12	230/400	0,80/0,46	4,33
STORM 12	1500	0,25	230/400	1,70/0,96	7,3
	3000	0,37	230/400	1,70/1,00	7,4
STORM 14	3000	1,10	230/400	4,70/2,70	15,80
STORM 16	3000	2,20	230/400	8,80/5,10	20,59

ATEX 					
STORM 10 ATEX	1500	0,06	230/400	0,65/0,37	4,33
	2800	0,12	230/400	0,80/0,46	4,33
STORM 12 ATEX	1500	0,18	230/400	0,97/0,56	13,6
	3000	0,37	230/400	1,64/0,95	16,6
STORM 14 ATEX	3000	1,10	230/400	4,4/2,5	23,10
STORM 16 ATEX	3000	2,20	230/400	8,00/4,60	33,70

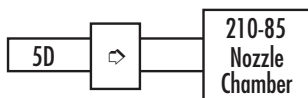
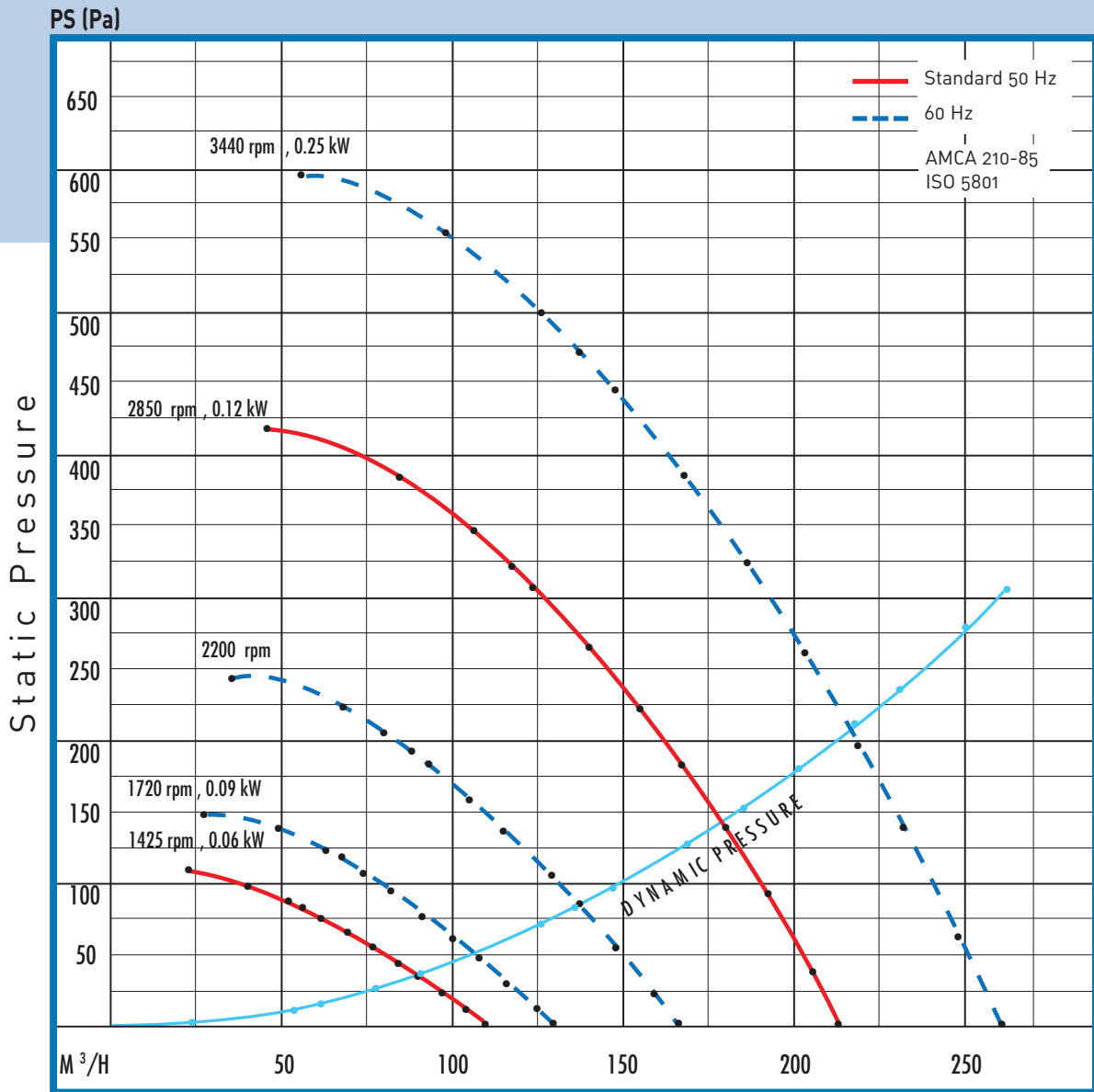
*Tabulated current values are approximate and depend on make and model of the motor.

Assembly drawing for Storm 12, Storm 14 and Storm 16



STORM 10

STORM Series



Noise level type B.
Visit our website for details.

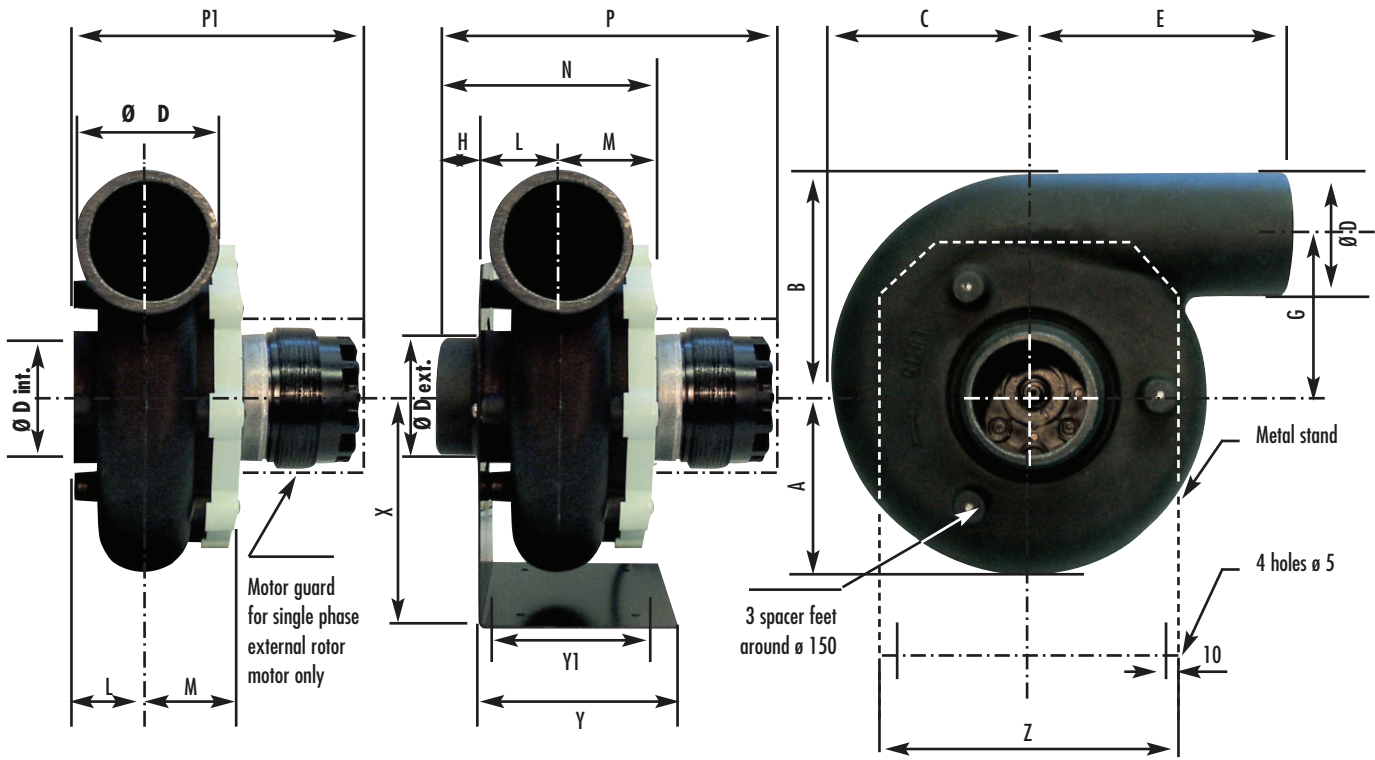


Housing and motor noise level when fan is running near maximum output

n (T/min) R.P.M.	dB(A)	dB
1435	52,3	61,6
1720	57,1	67,4
2870	69,7	80,8
3440	74,1	85,2

n (T/min) R.P.M.	Global dB	Global dB (A)
1435	62,9	51,6
1720	68,1	56,5
2870	81,1	69,6
3440	85,5	74,4

ISO 13347



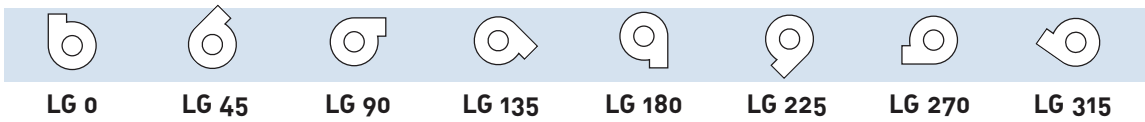
ONLY LG POSITION

Dimensional data (mm). Metal stand does not come standard with fan (see accessories pricing). The motor frame size may vary upon type of motor used.

A	B	C	Ø D	E	G	H	L	M	N	Y	Y ₁	Z	X
115	135	127	75	158	97	32	48	57	137	120	100	165	135

Motor type		
	P1	P
Single phase, rotor exterior, IP20 with cover	173	205
ATEX Three phase	262	295
Three phase, IP55	253	285

Handings with IP55 motor type are viewed from inlet side - 45 degree adjustable



LG 0 and LG 90 are handings with IP20 motor type.

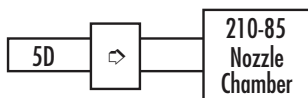
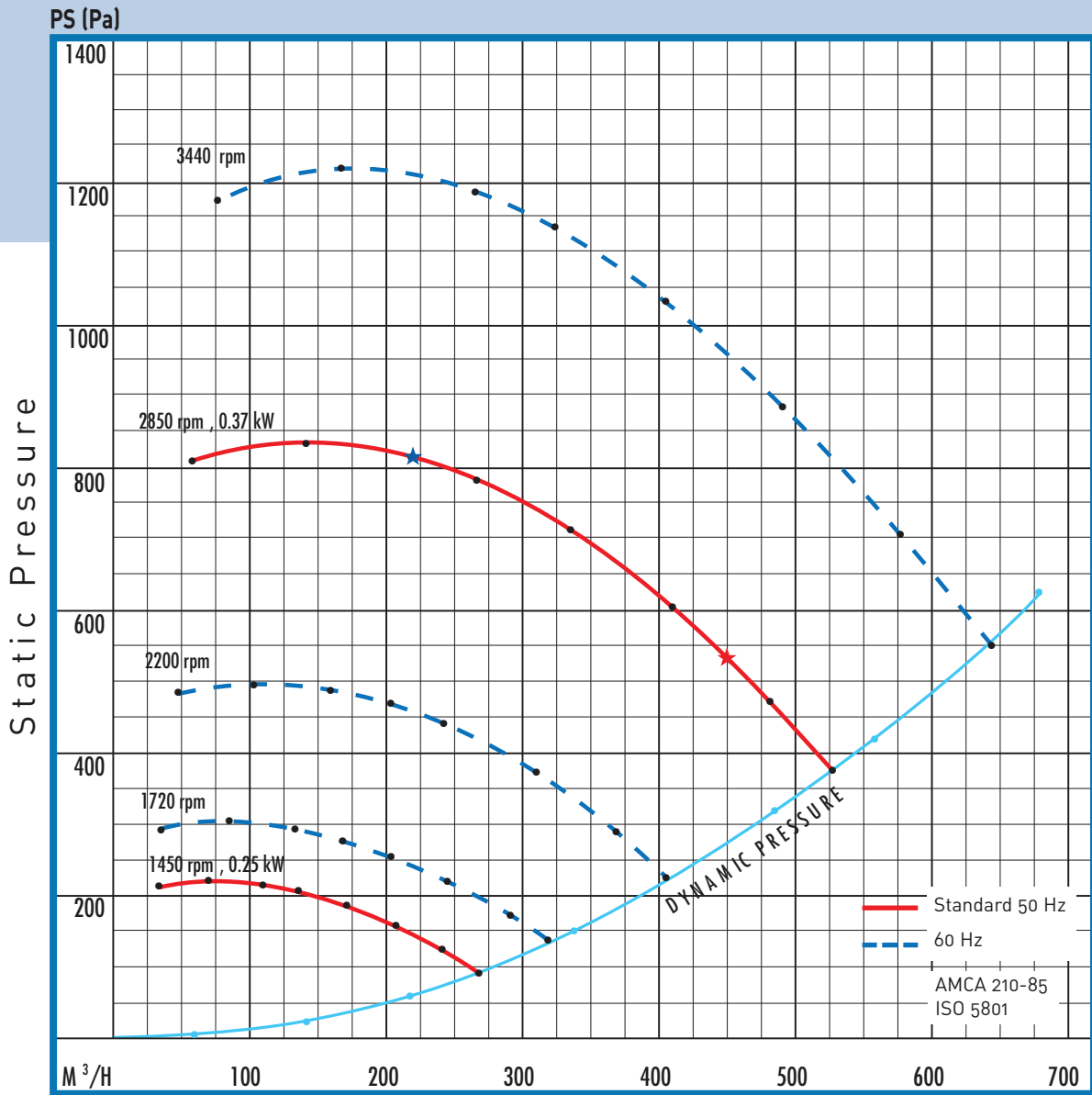


STORM 10

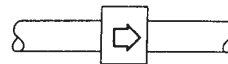


STORM 12

STORM Series



Noise level type B.
Visit our website for details.



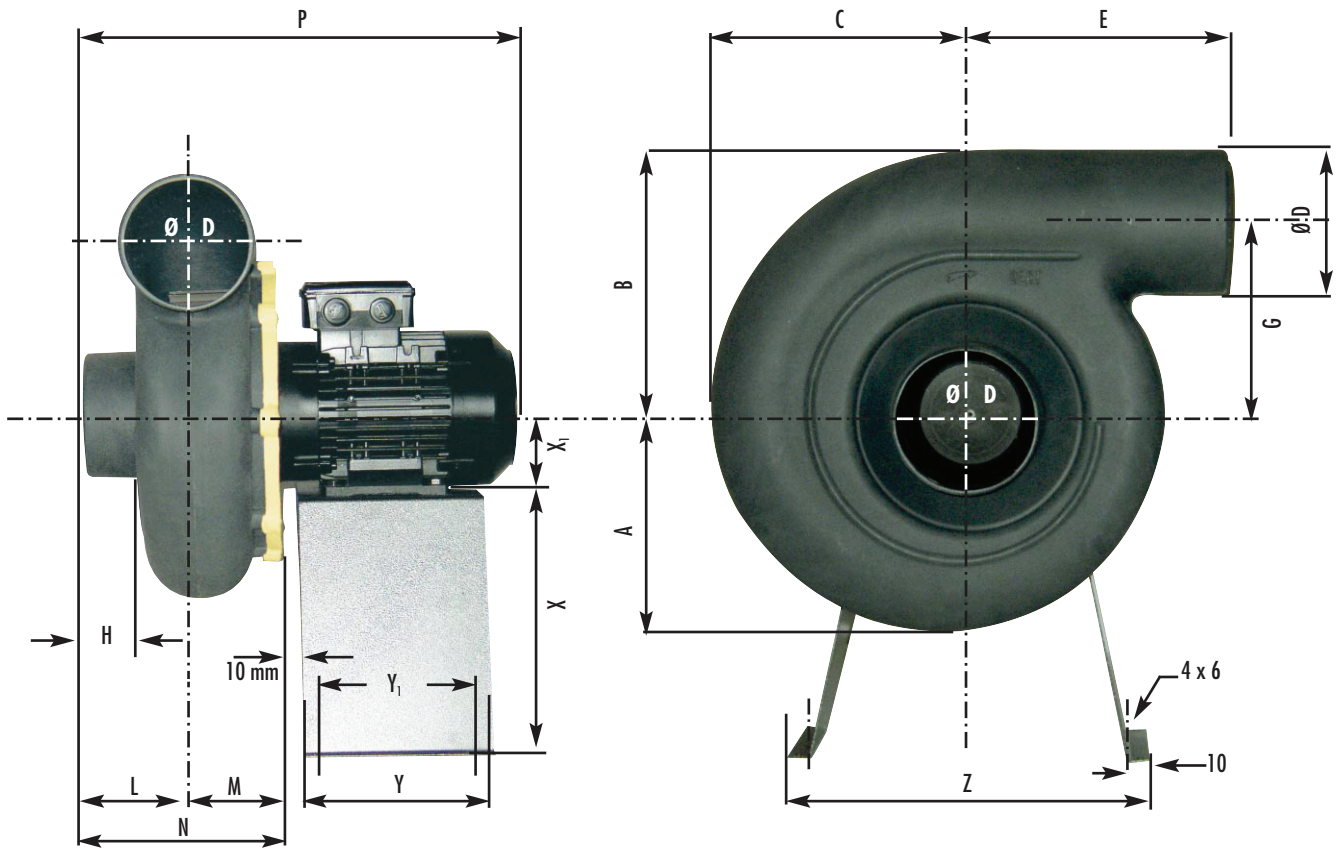
Type D
Ducted inlet/Ducted outlet

Housing and motor noise level when fan is running near maximum output

n (T/min) R.P.M.	★ dB(A)	★ dB(A)	dB	
1450	69,9	71,7	82	83,9
1720	73,5	75,3	86,9	87,6
2850	84,2	85,8	98,7	98,1
3300	87,4	88,8	101,9	100,9

n (T/min) R.P.M.	Global dB	Global dB (A)
1450	60,4	56,8
1720	65,2	61,5
2850	76,8	74
3300	80,5	77,8

ISO 13347

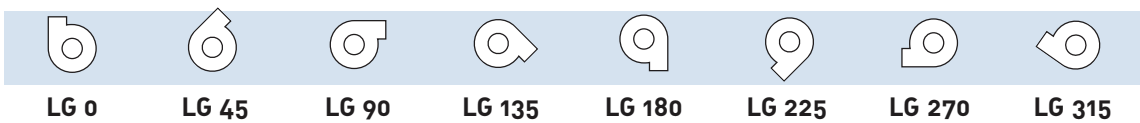


ONLY LG POSITION

Dimensional data (mm). Metal stand does not come standard with fan (see accessories pricing).
The motor frame size may vary upon type of motor used.

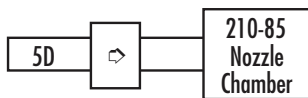
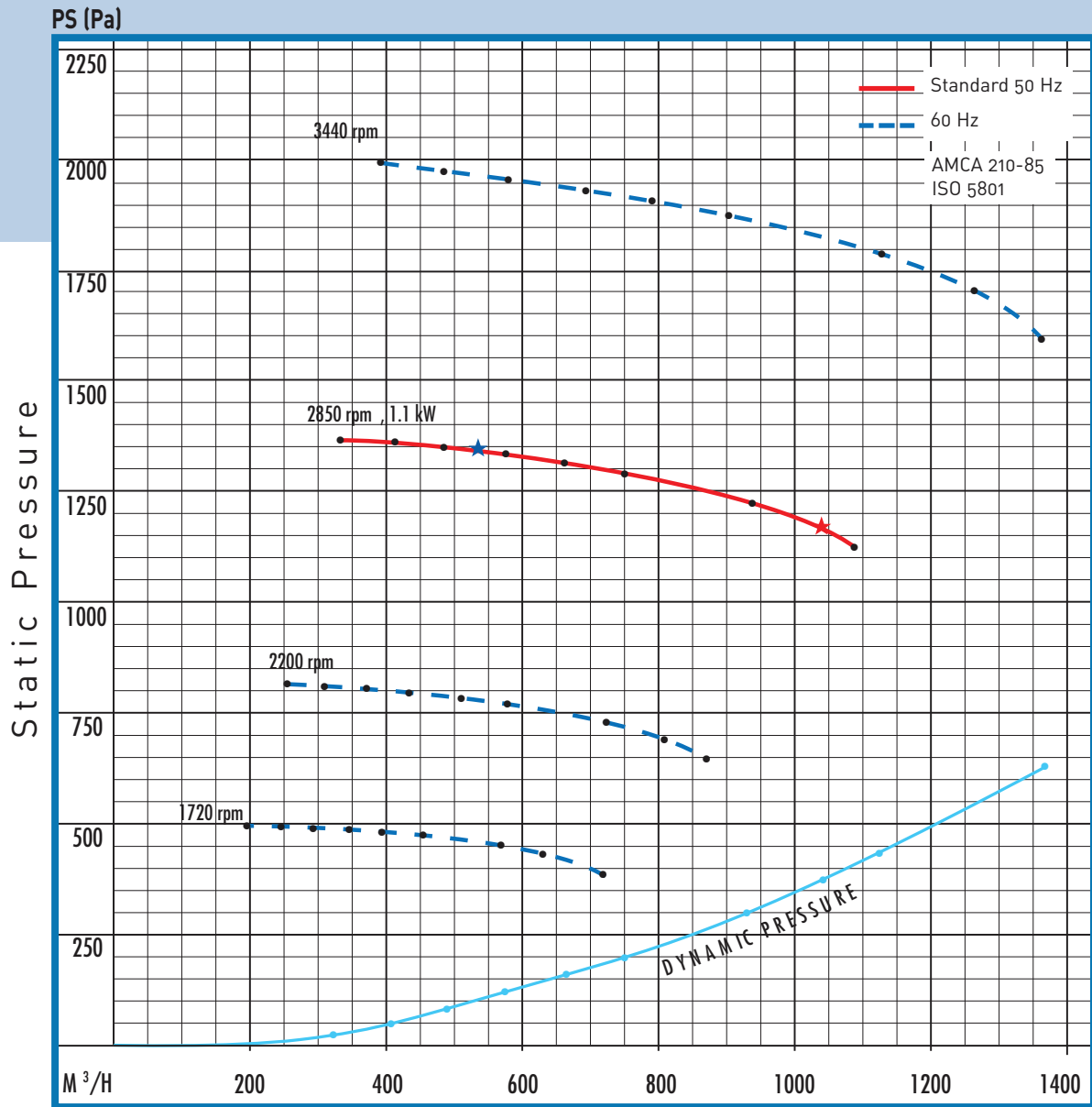
A	B	C	Ø D	E	G	H	L	M	N	P	Y	Y ₁	Z	X	X ₁
145	175	163	90	212	130	45	80	72	152	350	180	160	340	240	71

Handings with IP55 motor type are viewed from inlet side - 45 degree adjustable



STORM 14

STORM Series



Noise level type B.
Visit our website for details.

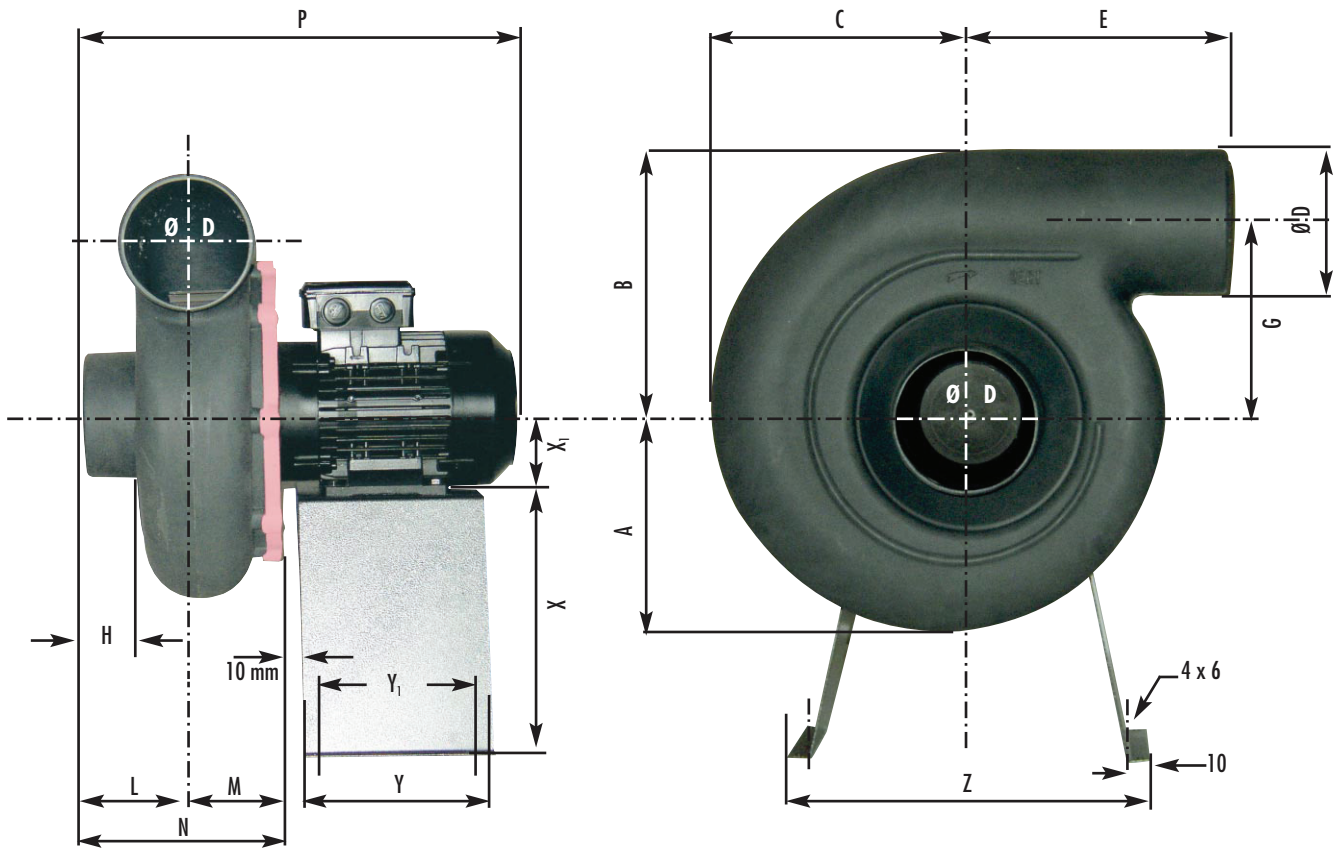


Housing and motor noise level when fan is running near maximum output

n (T/min) R.P.M.	★ dB(A)	★ dB	★ dB	★ dB
1450	72,5	75	87,2	87,3
1720	76,4	78,8	93,1	90,8
2850	88,1	89,3	109,3	105,8
3300	91,3	93,1	112,4	110,5

n (T/min) R.P.M.	Global dB	Global dB (A)
1450	65,4	61,1
1720	69,1	69,1
2850	82,1	78
3300	86,7	81,8

ISO 13347



ONLY LG POSITION

Dimensional data (mm). Metal stand does not come standard with fan (see accessories pricing).
The motor frame size may vary upon type of motor used.

A	B	C	Ø D	E	G	H	L	M	N	P	Y	Y ₁	Z	X	X ₁
188	232	227	125	218	170	55	110	83	193	433	180	160	340	240	80

Handings with IP55 motor type are viewed from inlet side - 45 degree adjustable

